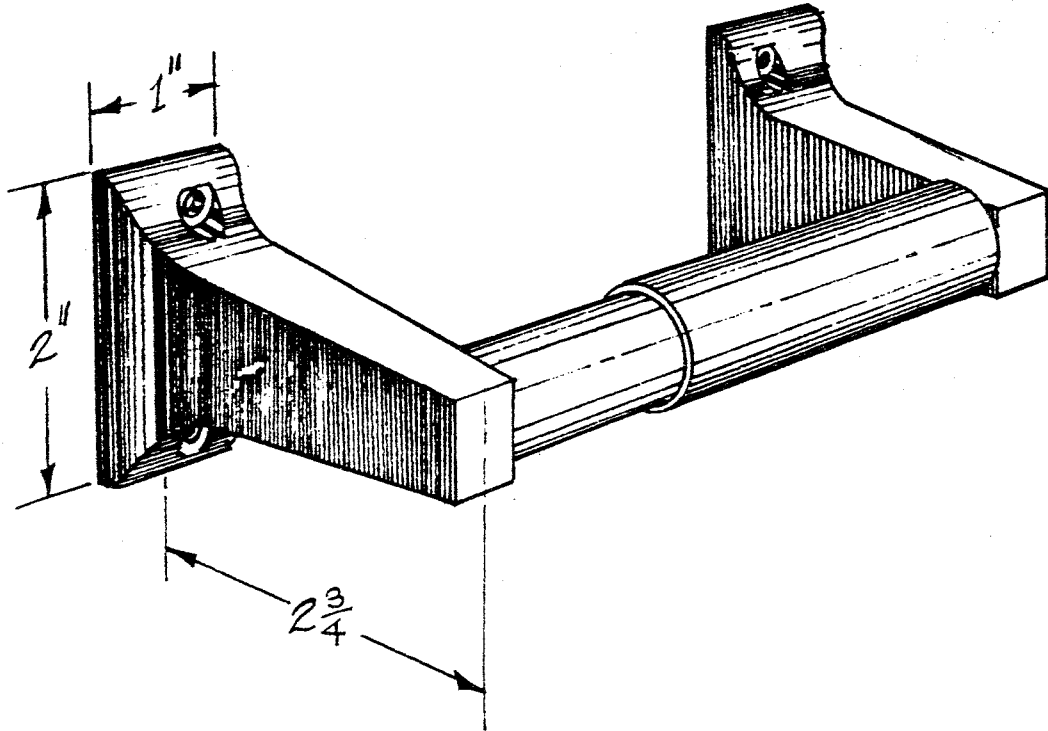


TOILET PAPER HOLDER



CONSTRUCTION:

Brackets are 5/8" chrome plated zinc die-cast (zamak) designed for exposed screw mounting. Roller is white plastic on 864. Roller is chrome plastic on 865.

INSTALLATION:

Secure to studs or solid backing with mounting screws provided.

SPECIFICATION:

Toilet paper holder shall be model 864 (plastic roller) or 865 (chrome plastic roller) by CWECO, Inc.